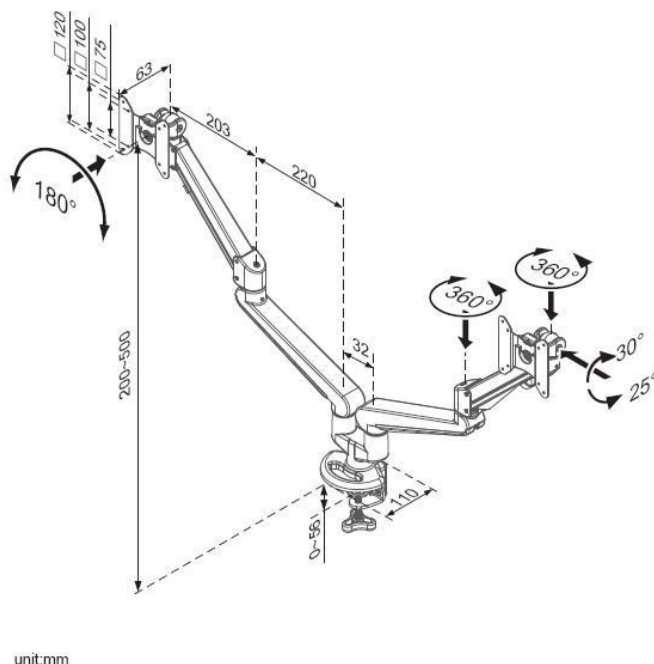


# Ascend Dual Gas Arm with Through-desk Fixing



## Product Specification

Product code	CMS3061C-ED & CMS2376 – WHITE
*Weight capacity	From 3 - 8 kg per arm
**Maximum Screen Size	36"
Height adjustment range	200mm – 500mm from desktop
Max forward extension	486mm
VESA	75mm & 100mm VESA compliant
Movement	Height adjustment, tilt, swivel, rotation and reach

\*Capacity may be reduced if monitor size is greater than 26" or depth is greater than 5.5cm

\*\*Subject to weight being within range & VESA 75 x 75mm or 100 x 100mm, please refer to our measurements / line drawings and check with screen manufacturers measurements including bezel

## Additional Information

Through desk for desktop up to 36mm

Integral cable management

2 screen gas assisted height adjustment

Lockable quick release VESA function

180° anti rotation feature

Over 90% of the aluminium alloy content is recycled



**Ergo**  
01235 773373  
www.ergold.co.uk  
sales@ergold.co.uk